

T26PN

3 User accounts & 3 Line Keys

13 programmable keys with LED indication

Busy Lamp Field (BLF) Shared Bridged Appearance (BLA)

Expansion Module Support

Headset port

Handsfree

Dual 10/100 ethernet ports



T26PN is a professional IP phone with contemporary design accompanies advanced HD voice quality and the leading "Texas Instruments TI Titan" chipset, with broad compatibility with popular 3rd party VoIP products.

T26PN

Network Features

SIP v1(RFC2543), v2(RFC3261)
 3 User accounts
 NAT Transverse: STUN mode
 IP Assignment: Static/DHCP/PPPoE
 In-Band DTMF, Out-of-Band DTMF, SIP Info
 Proxy mode and Peer-to-peer SIP link mode
 TFTP/DHCP/PPPoE client
 Telnet/HTTP server
 DNS client
 NAT/DHCP server
 Supports VLAN, QoS
 PoE type A and B standard
 VPN

Voice Features

Wideband Codec: G.722, voice spectrum between 50-7000Hz
 Narrowband Codecs: G.711, G.726, G.723.1/iLBC, G.729AB and GSM
 VAD, CNG, AEC, PLC, AJB, AGC
 Full-duplex hands-free speakerphone
 -compliant with IEEE 1329
 Support Hearing Aid Compatible (HAC)

Security

Secure RTP
 Digest authentication using MD5/MD5-sess
 Secure configuration file via AES encryption

Phone Features

Call Hold, Call Waiting,
 Call Transfer, Call Forward
 300 name/number phonebook
 Caller ID, Call List, DND, Redial, Flash
 3-way Conference, Speed Dial
 MP3 Ring Tone Selection, Voicemail
 Volume Adjustment, Mute,
 Speakerphone
 Logo Customisation, Black List, Phone Lock
 Admin/User Configuration Mode
 Contact List Export/Import
 System Log Export/Import
 Hotline, Signal Tone Settable
 Multi-language
 LDAP

IP PBX System Integration

SMS, BLF/BLA, Paging, Intercom
 Downloadable enterprise phonebook
 Call Park, Call Pickup, Distinctive Ringtone
 Auto-answer, Dial Plan, Dial-now

Config, Upgrade and Usage

Language Customisation Support
 Auto-provision: TR069, HTTPS, HTTP, FTP, TFTP, PnP
 Browser/Console/Telnet/Auto-provision/Keypad
 Firmware Upgrade: TFTP/Console/Auto-provision
 Direct IP call without SIP proxy
 Dial number via SIP server
 Dial URL via SIP server

Physical Features

TI Titan Chipset
 LCD: 132x64 with white backlight
 13 programmable keys with LED
 4 text-sensitive keys
 23 hard keys, 3 indication LEDs
 Headset port: RJ9
 Speaker: 8Ohm/1Watt
 Network Interface: 2xRJ45 10/100M ports
 Expansion Module Port
 Dimension: 310 x 290 x 110 mm
 Weight: 1.52 kg
 Optional power adapter: Input: AC 100~240V
 Output: DC 5V/1A
 Operating humidity: 10~95%
 Storage temperature: up to 60 C

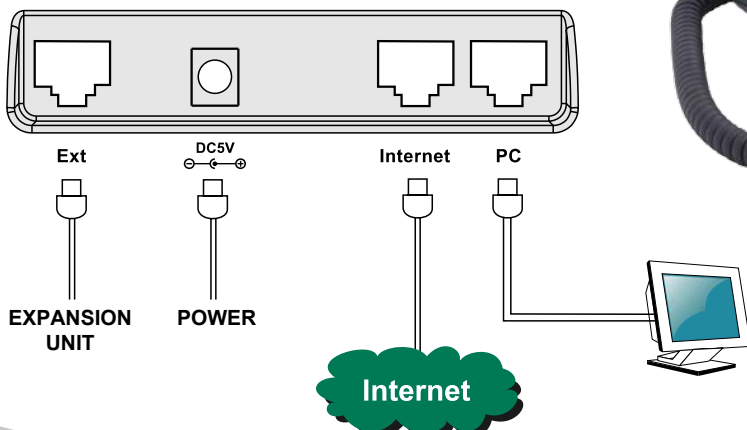
Certifications



WEEE Compliant



ROHS Compliant



Yealink
 EASY VoIP